

D series touch panel



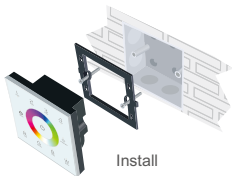
D8



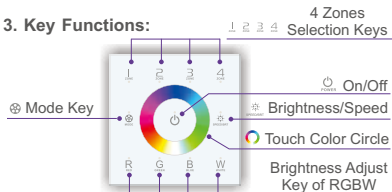
1. Technical Specs:

- Input Voltage: DC12V-24V
- Output Signal: DMX512
- Control Mode: 4 Zones Control
- Working Temperature: -20°C-60°C
- Dimensions: L86×W86×H36(mm)
- Package Size: L113×W112×H50(mm)
- Weight(G.W.): 208g

2. Installation Instruction:



3. Key Functions:

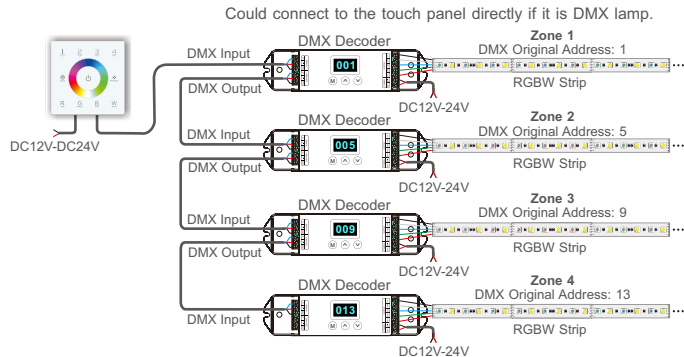


* Long press to turn on/off the tone.

The Changing Mode (Press to Switch):

- A. Static Red B. Static Green C. Static Blue D. Static Yellow E. Static Purple F. Static Cyan
- G. Static White H. RGB Skipping I. 7 Colors Skipping J. RGB Smooth K. 7 Colors Smooth

5. Wiring Diagram:



4. Terminals:

